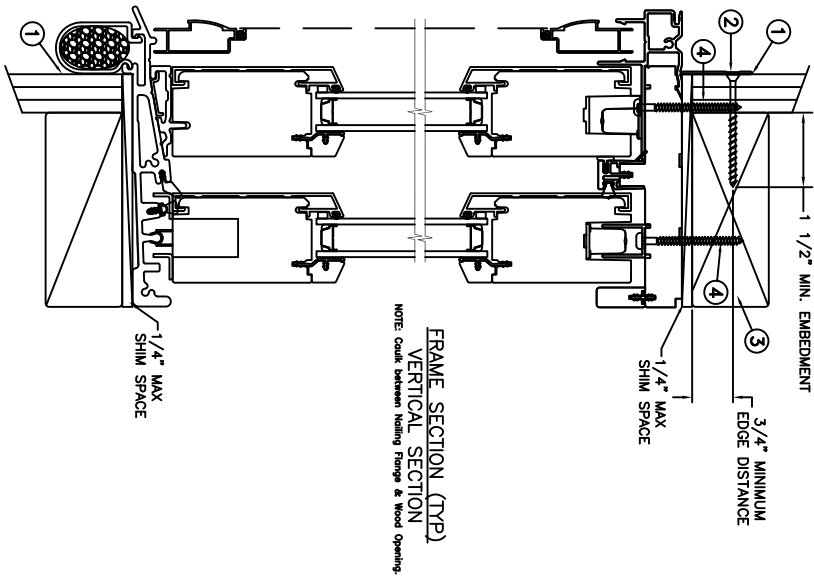
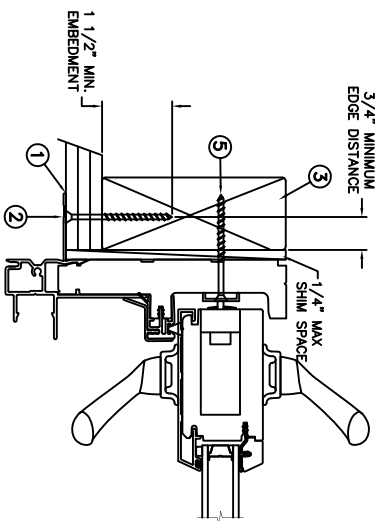


TYPICAL ELEVATION WITH FASTENER SPACING



FRAME SECTION (TYP)
VERTICAL SECTION
NOTE: Gasket between Mating Flange & Wood Opening.



JAMB SECTION (TYP)
HORIZONTAL SECTION
NOTE: Gasket between Mating Flange & Wood Opening.

NAIL FIN INSTALLATION

Max Frame	DP	IMPACT
95 1/4" x 95 1/2"	+/-40	NO

Installation Notes:

1. Seal flange/frame to substrate.
2. Use #8 PH or greater fastener through the nailfin head and sides with sufficient length to penetrate a minimum of 1 1/2" into the wood framing. For 2x wood frame substrate (min. S.G. = 0.42)
3. Host structure (wood buck, masonry, steel) to be designed and anchored to properly transfer all loads to the structure. The host structure is the responsibility of the architect or engineer of record for the project of installation.
4. Use #8 x 2" PH or greater fasteners through channel guide, bracket and head jamb into wood framing. Install screws in every pre-drilled hole.
5. Use #8 x 2" PH or greater fasteners through keeper and side jamb into wood framing. Install screws in each pre-drilled hole.

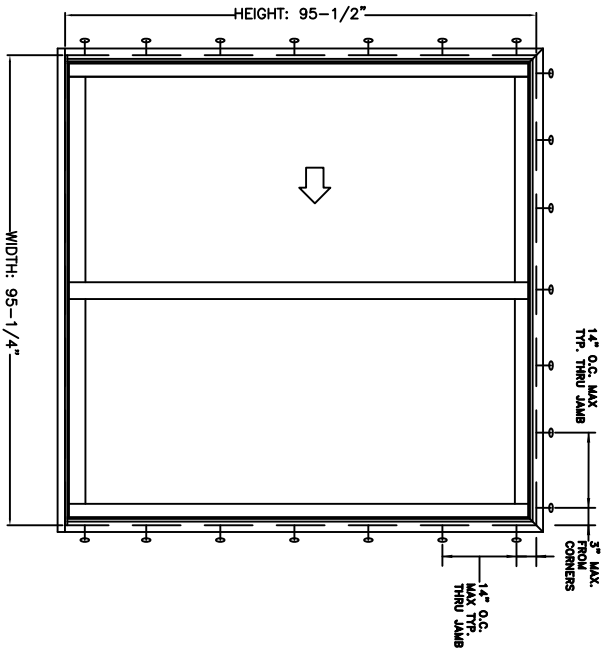
General Notes:

1. The product shown herein is designed, tested and manufactured to comply with the wind load criteria of the adopted International Building Code (IBC), the International Residential Code (IRC), the Florida Building Code (FBC), and the Industry requirement for the stated conditions.
2. All glazing shall conform to ASTM E1300.
3. At minimum, glazing shall be double strength annealed insulating glass.
4. Use structural or composite shims where required.

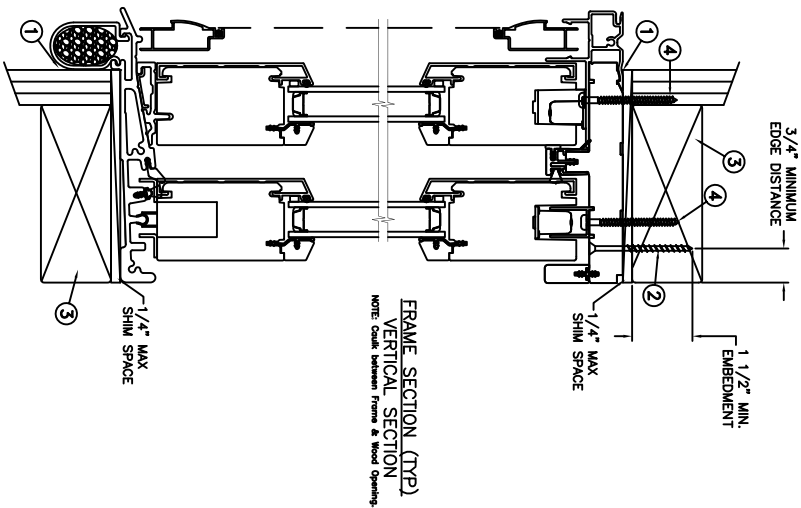
This schedule addresses only the fasteners required to anchor the window to achieve the rated design pressure and impact performance (where applicable) up to the size limitations noted. It is not intended as a guide to the installation process and does not address the sealing consideration that may arise in different wall conditions. For the complete installation procedure, see the instructions packaged with the window or go to www.jeld-wen.com/resources/installation.

DISCLAIMER: This drawing and its contents are confidential and are not to be reproduced or copied in whole or in part or used or disclosed to others except as authorized by JELD-WEN Inc.

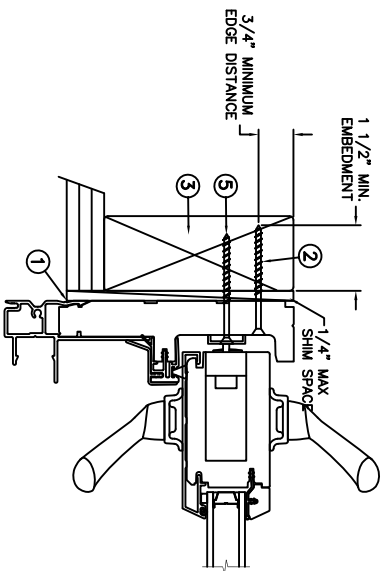
PROJECT ENGINEER: ---		DATE: 12/12/2016	
DRAWN BY: J.HAWKINS		SCALE: NTS	
CHECKED BY: C.GRAETSCH		TITLE: Stieline Clad Sliding 2-Panel Door Low Profile Sill	
APPROVED BY: D.STOKES		PLANT NAME AND LOCATION: Hawkins-WI	
PART/PROJECT No.: D014469		CAD DWG. No.: StielineClSPDLP Cert	
IDENTIFIER No.:		REV: A	
		3737 Lakeport Blvd Klamath Falls, OR, 97601 Phone: (800) 535-3936	
		SHEET	



TYPICAL ELEVATION WITH FASTENER SPACING



FRAME SECTION (TYP)
VERTICAL SECTION
NOTE: Gaps between Frame & Wood Opening.



JAMB SECTION (TYP)
HORIZONTAL SECTION
NOTE: Gaps between Frame & Wood Opening.

THROUGH FRAME
INSTALLATION

Max Frame	DP	IMPACT
95 1/4" x 95 1/2"	+/-40	NO

Installation Notes:

1. Seal frame to substrate.
2. Use #8 PH or greater fastener through the head and side jambs with sufficient length to penetrate a minimum of 1 1/2" into the wood framing. For 2x wood frame substrate (min. S.G. = 0.42)
3. Host structure (wood buck, masonry, steel) to be designed and anchored to properly transfer all loads to the structure. The host structure is the responsibility of the architect or engineer of record for the project of installation.
4. Use #8 PH or greater fastener through channel guide, bracket and head jamb into wood framing. Install screws in every pre-drilled hole.
5. Use #8 x 2" PH or greater fastener through keeper and side jamb into wood framing. Install screws in each pre-drilled hole.

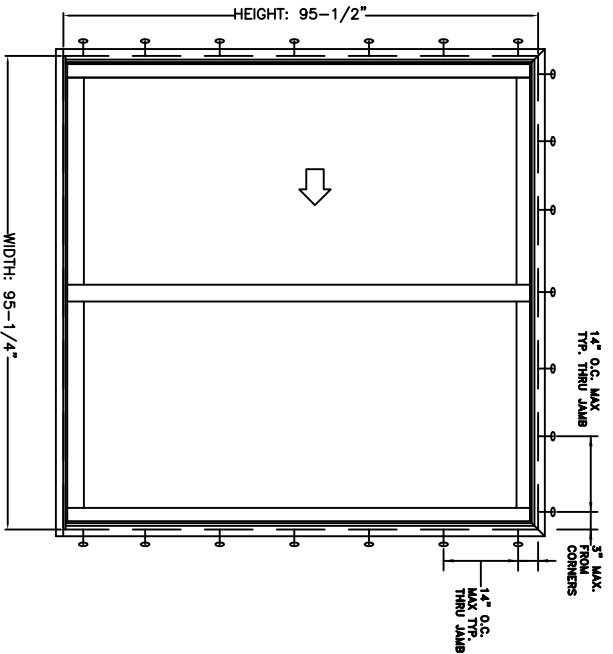
General Notes:

1. The product shown herein is designed, tested and manufactured to comply with the wind load criteria of the adopted International Building Code (IBC), the International Residential Code (IRC), the Florida Building Code (FBC), and the Industry requirement for the stated conditions.
2. All glazing shall conform to ASTM E1300.
3. At minimum, glazing shall be double strength annealed insulating glass.
4. Use structural or composite shims where required.

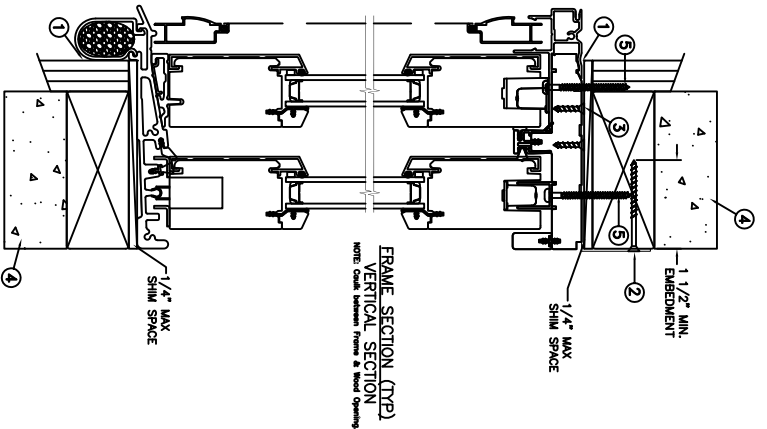
This schedule addresses only the fasteners required to anchor the window to achieve the rated design pressure and impact performance (where applicable) up to the size limitations noted. It is not intended as a guide to the installation process and does not address the sealing consideration that may arise in different wall conditions. For the complete installation procedure, see the instructions packaged with the window or go to www.jeld-wen.com/resources/installation.

DISCLAIMER: This drawing and its contents are confidential and are not to be reproduced or copied in whole or in part or used or disclosed to others except as authorized by JELD-WEN Inc.

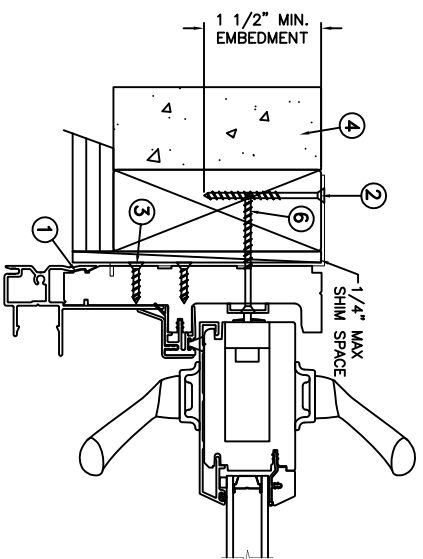
PROJECT ENGINEER: ---	DATE: 04/14/2017		3737 Lakeport Blvd Klamath Falls, OR, 97601 Phone: (800) 535-3936
DRAWN BY: J.HAWKINS	SCALE: NTS		
CHECKED BY: C.GRAETSCH	TITLE: Stieline Clad 2-Panel Sliding Patio Door Low Profile Sill		
APPROVED BY: D.STOKES	PART/PROJECT No.:		
IDENTIFIER NO.:	D014469		
PLANT NAME AND LOCATION: Hawkins-WI	CAD DWG. No.:		
	StielineClad.PDP Cert	REV:	A
		SHEET	



TYPICAL ELEVATION WITH FASTENER SPACING



MASONRY STRAP
INSTALLATION



Max Frame	DP	IMPACT
95 1/4" x 95 1/2"	+/-40	NO

Installation Notes:

1. Seal frame to substrate.
2. Use #8 PFH or larger fasteners through masonry strap with sufficient length to penetrate a minimum of 1 1/2" into the masonry or buck.. For concrete (min. fc = 3000 psi) or masonry substrate (CMU shall adhere to ASTM C90).
3. Use #8 PFH or larger fasteners through masonry strap into jamb without penetrating through the jamb into product causing visibility or collateral damage to product.
4. Host structure (wood buck, masonry, steel) to be designed and anchored to properly transfer all loads to the structure. The host structure is the responsibility of the architect or engineer of record for the project of installation.
5. Use #8 x 2" PH or greater fasteners through channel guide, brackets and head jamb into wood framing. Install screws in every pre-drilled hole.
6. Use #8 x 2" PH or greater fasteners through keeper and side jamb into wood framing. Install screws in every pre-drilled hole.

This schedule addresses only the fasteners required to anchor the window to achieve the rated design pressure and impact performance (where applicable) up to the size limitations noted. It's not intended as a guide to the installation process and does not address the sealing consideration that may arise in different wall conditions. For the complete installation procedure, see the instructions packaged with the window or go to www.jeld-wen.com/resources/installation.

DISCLAIMER: This drawing and its contents are confidential and are not to be reproduced or copied in whole or in part or used or disclosed to others except as authorized by JELD-WEN Inc.

General Notes:

1. The product shown herein is designed, tested and manufactured to comply with the wind load criteria of the adopted International Building Code (IBC), the International Residential Code (IRC), the Florida Building Code (FBC), and the Industry requirement for the stated conditions.
2. All glazing shall conform to ASTM E1300.
3. At minimum, glazing shall be double strength annealed insulating glass.
4. Use structural or composite shims where required.

PROJECT ENGINEER: ---	DATE: 04/14/2017		3737 Lakeport Blvd Klamath Falls, OR, 97601 Phone: (800) 535-3936
DRAWN BY: J.HAWKINS	SCALE: NTS		
CHECKED BY: C.GRAETSCH	TITLE: Stieline Clad 2-Panel Sliding Patio Door Low Profile Sill		
APPROVED BY: D.STOKES			
PART/PROJECT No.: D014469	PLANT NAME AND LOCATION: Hawkins-WI	CAD DWG. No.: StielineClad.PC	REV: A SHEET